

Capsule Pressure Gauges

RUEGER

www.rueger.com

E-06.13

PCS063, PCS100 PCX100, PCX150



For measurement of low pressure and vacuum within the range -600...0 to 0...600 mbar, for use on gas and dry air.

Functional and constructive characteristics

PCS063... (without filling)

Accuracy class : 1.6 as per EN 837.
Ambient temperature : -25...+65°C.
Process temperature : +50°C.
Overpressure : 25% of full scale value.
Socket material : nickel plated brass.
Elastic element : phosphor bronze capsule
Case : stainless steel.
Ring : stainless steel.
Window : glass.
Movement : brass.
Dial : aluminium, white with black marking.
Special dial : ranges different from standard, available on request.
Pointer : aluminium alloy.
Blow out vent : EPDM.

PCS100... (without filling)

Accuracy class : 1.6 as per EN 837.
Ambient temperature : -25...+65°C.
Process temperature : +65°C.
Overpressure : 25% of full scale value.
Socket material : AISI 303 st.st.
Elastic element : phosphor bronze capsule.
Case : stainless steel.
Ring : stainless steel.
Window : glass.
Movement : brass.
Dial : aluminium, white with black marking.
Special dial : ranges different from standard, available on request.
Pointer : aluminium alloy.
Blow out vent : EPDM

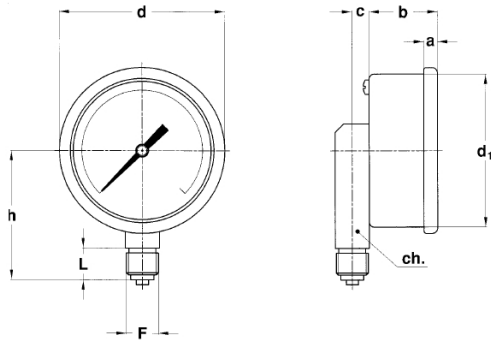
PCX100-150... (without filling)

Process temperature : +100°C.
Socket material : AISI 316 st.st.
Elastic element : AISI 316 Ti st.st.(1.4571) capsule
Other characteristics : as type PCS100.

Options : on request

PCS063

TYPE AND DIMENSIONS

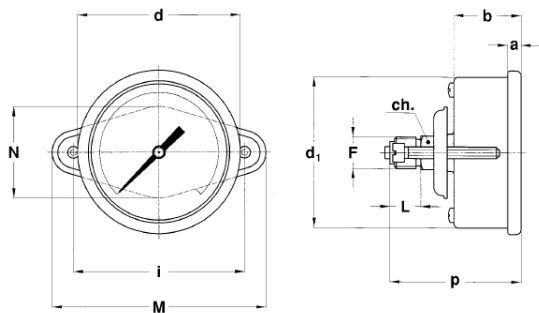


TYPE A

Stem mounting; lower connection

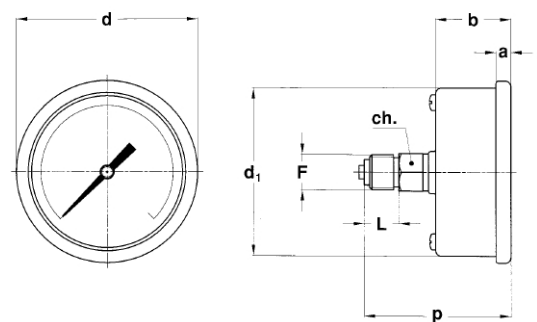
DS	Type	a	b	c	d	d ₁
63	A	5.6	28	7	68	62.6

(dimensions in mm.)



TYPE H

Flush mounting, «U»-Clamp; back connection

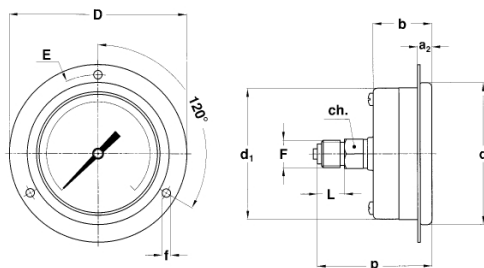


TYPE C

Stem mounting; back connection

DS	Type	a	a ₂	b	d	d ₁	D	E	f	i	M	N
63	H-C-J	5.6	6.6	28	68	62.6	85	75	3.6	72	90	38

(dimensions in mm.)



TYPE J

Flush mounting, front flange; back connection

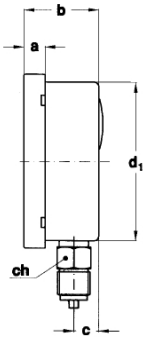
PROCESS CONNECTION

F	L	ch	h	p
1/4" BSP	13	14	53	54.8
1/4" NPT	13	14	53	53.8

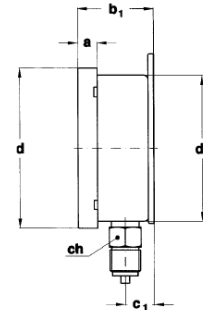
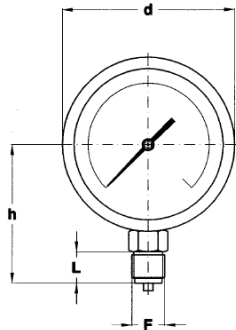
(dimensions in mm)

PCS100, PCX100, PCX150

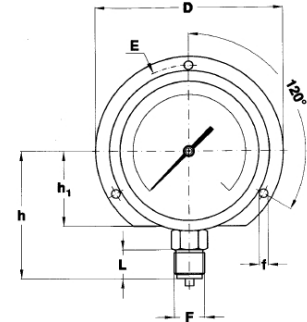
TYPE AND DIMENSIONS



TYPE A
Stem mounting; lower connection

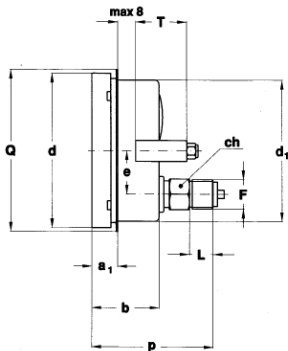


TYPE B
Surface mounting; back flange; lower connection

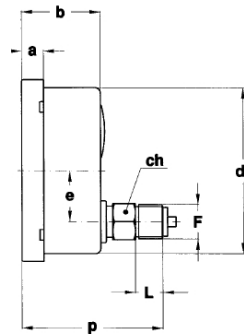


DS	Type	a	b	b ₁	c	c ₁	d	d ₁	f	h ₁	D	E
100	A-B	13	48.6	52.6	16.1	20.1	110.6	101	6	52	130	118
150	A-B	15	50.5	54	16.5	20	161	149.6	6	85	190	175

(dimensions in mm.)



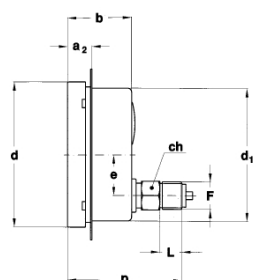
TYPE H
Flush mounting, «U»-Clamp; back connection



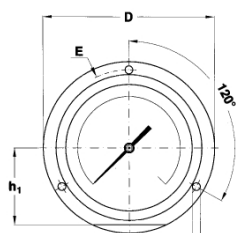
TYPE C
Stem mounting; back connection

DS	Type	a	a ₁	a ₂	b	d	d ₁	e	f	h ₁	p	D	E	Q	T	V	Z
100	H-C-J	13	20	20	48.6	110.6	101	31	6	-	86.8	132	118	112	41.5	70	112
150	H-C-J	15	20.5	25.5	50.5	161	149.6	31	6	85	85	190	175	164	41.5	106	155

(dimensions in mm.)



TYPE J
Flush mounting, front flange; back connection



PROCESS CONNECTION

F	L	ch	h	p
1/2" BSP	20	22	86	86.6
1/2" NPT	20	22	86	86.6

(dimensions in mm)

PCS063, PCS100

PCX100, PCX150

RANGES - «C» = Available for PCS063; «E» = available for PCS100 & PCX100; «G» = Available for PCX150.

PRESSURE

TAB. 1

RANGES (1)	PCS	PCX
0...6 mbar		G
0...10 mbar		G
0...16 mbar		G
0...25 mbar	E	EG
0...40 mbar	E	EG
0...60 mbar	CE	EG
0...100 mbar	CE	EG
0...160 mbar	CE	EG
0...250 mbar	CE	EG
0...400 mbar	CE	EG
0...600 mbar	CE	EG

VACUUM (2)

TAB. 2

RANGES (1)	PCS	PCX
-0...6 mbar		G
-0...10 mbar		G
-0...16 mbar		G
-0...25 mbar	E	EG
-0...40 mbar	E	EG
-0...60 mbar	CE	EG
-0...100 mbar	CE	EG
-0...160 mbar	CE	EG
-0...250 mbar	CE	EG
-0...400 mbar	CE	EG
-0...600 mbar	CE	EG

COMPOUND (2)

TAB. 3

RANGES (1)	PCS	PCX
-2...4 mbar		G
-4...2 mbar		G
-3...3 mbar		G
-4...6 mbar		G
-5...5 mbar		G
-6...10 mbar		G
-10...6 mbar		G
-10...15 mbar	E	EG
-15...10 mbar	E	EG
-15...25 mbar	E	EG
-25...15 mbar	E	EG
-20...40 mbar	CE	EG
-40...20 mbar	CE	EG
-40...60 mbar	CE	EG
-60...40 mbar	CE	EG
-60...100 mbar	CE	EG
-100...60 mbar	CE	EG
-100...150 mbar	CE	EG
-150...100 mbar	CE	EG
-150...250 mbar	CE	EG
-250...150 mbar	CE	EG
-200...400 mbar	CE	EG
-400...200 mbar	CE	EG

Modifications reserved



www.rueger.com www.instrugate.com

Manufacturer of Sensors and Gauges for Temperature & Pressure

RUEGER SA
Ch. de Mongevon 9
Case postale 98
1023 CRISSIER 1
SWITZERLAND

RUEGER GmbH
Plieningen Strasse 58
70567 STUTTGART
GERMANY

RUEGER Sdn Bhd
No. 22-5, Jalan Wangsa Delima 10
D'Wangsa, Wangsa Maju
53300 KUALA LUMPUR
MALAYSIA

BEIJING RUEGER PRECISION INSTRUMENTS CO., LTD
5th Floor, No. A135, Chengshousi Road
Nansanhuan, Chaoyang District
CN-100164 BEIJING
P.R. CHINA

Tel + 41 (0)21 637 32 32
Fax + 41 (0)21 637 32 00
E-mail info@rueger.ch

Tel + 49 (0)711 16-163-0
Fax + 49 (0)711 16-16333
E-mail rgmbh@rueger.com

Tel + 603 - 4142 3808
Fax + 603 - 4142 3909
E-mail sales@rueger.com.my

Tel + 86 - 10 8767 7502 / 3379
Fax + 86 - 10 8761 3727
E-mail sales@bjrueger.com